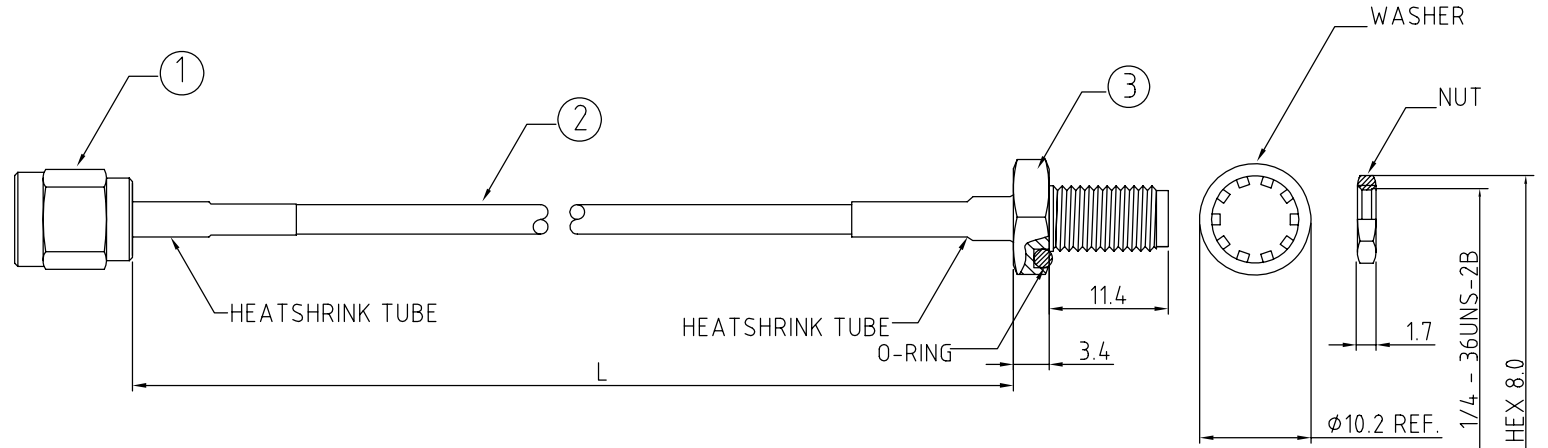


CABLE 112 RF: RF CABLE ASSEMBLY, SMA ST PLUG + SMA FEMALE BULKHEAD WITH O-RING + RG174 CABLE - 3GHz

SPECIFICATIONS

1. SMA STRAIGHT PLUG P/N:
FOR RG174 CABLE: C01AA31174004A
2. MIT COAXIAL CABLE (SEE CABLE OPTIONS FOR
DETAIL).
3. SMA ST BULKHEAD WITH O-RING, P/N:
FOR RG174 CABLE: C02AD31174005A

NOTES:
1, ELECTRICAL WORKING FREQUENCY RANGE:
DC-3GHz



HOW TO ORDER

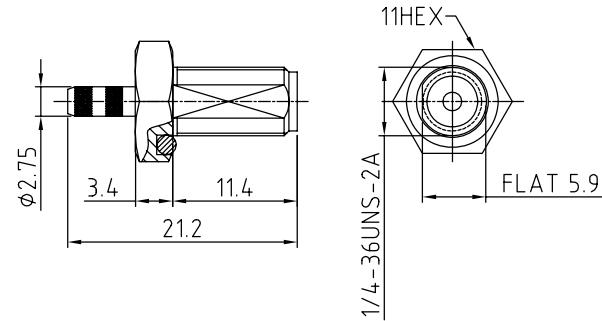
CABLE 112 RF - X X X X - X - 1

"L" LENGTH IN MM
eg: 100MM = 0100
(MIN. = 0050)

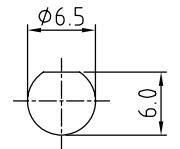
STANDARD = 0100, 0150, 0200
Tolerance: <50mm : ±2mm.
51-200mm: ±5mm.
201-500mm: ±7mm.
>501mm: ±10mm.

WASHER AND NUT OPTIONS:
BLANK = SEPERATELY PACKED (STANDARD)
A = ASSEMBLED WITH CONNECTOR

CABLE SIZE OPTIONS:
1 = RG174 CABLE, COLOR: BLACK



SMA JACK DETAIL DIMENSION



RECOMMENDED SMA MOUNTING HOLE

REV. DATE & DRN
10 20/04/11 - NYW RELEASE

| | | | | |
|------------------|-----------------------|---|--|----------------------|
| Scale: NTS | THIRD ANGLE | Unstated .X .XX .XXX ANGLES | Tolerances: ±0.2 ±0.1 ±0.05 ±5 | Material SEE NOTE |
| Drawn: NYW | | | | |
| App'd: XXX | Title: CABLE ASSEMBLY | NOT TO SCALE | | |
| Date: 20 APR '11 | Revision: 1.0 | Unit: mm | | |

www.gradconn.com

THIS DRAWING IS CONFIDENTIAL AND MUST NOT BE
COPIED OR DISCLOSED WITHOUT WRITTEN CONSENT

| |
|---------------------|
| Type: Cable 112 RF |
| CABLE 112 RF |
| Drawing Number: |
| Sheet 1 of 1 |
| Drawing © E and O E |